

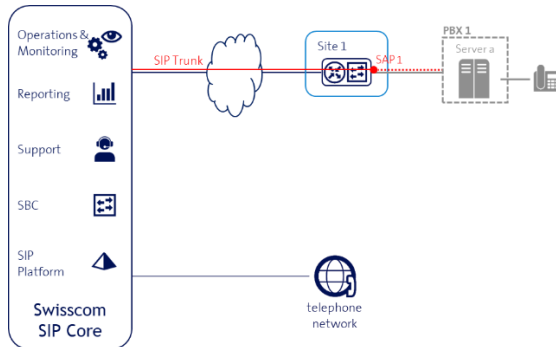


For many companies, high availability and reliability are key requirements for their voice communication services. Enterprise SIP offers several possibilities

**Enterprise SIP offers a wide range of modular functions to keep a company's voice communication as available as possible**

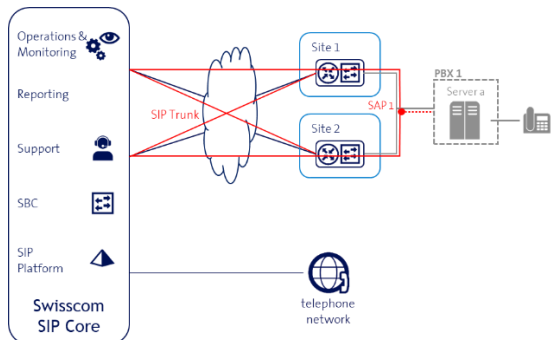
**Standard access**

Redundancy is limited to the SIP core. All components in the access area have a non-redundant design.



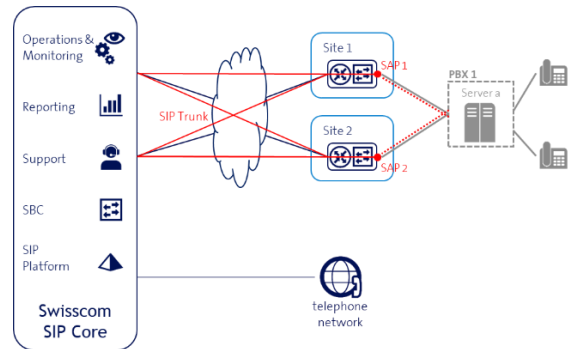
**99.9% availability**

The high availability is achieved by a redundantly designed connection between the SIP core and Service Access Interface Point. The implementation variant SDT-1 ensures physically separated routing in the access.



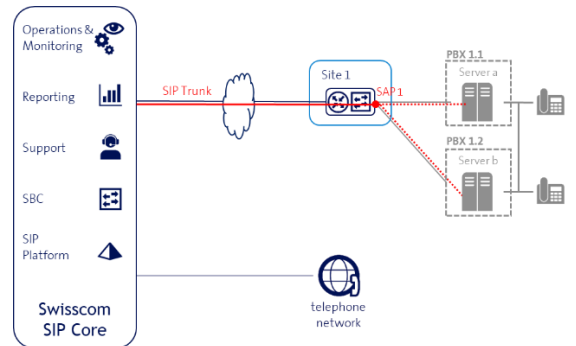
**Multi SAP (Service Access Interface Point)**

The termination of a SIP trunk can be distributed to multiple locations. All connections are active and can be used simultaneously. In My Swisscom Business, the customer selects between Round Robin or Top-Down call distribution.



**Multi PBX**

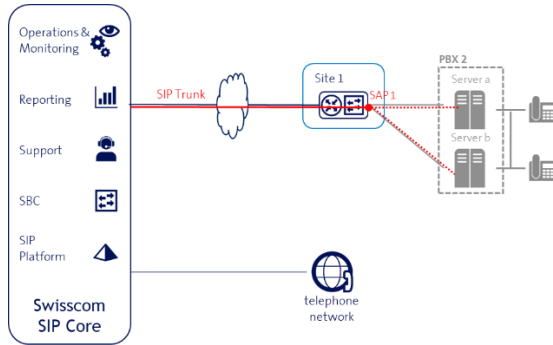
Several systems (PBX, fax server, etc.) can be connected at one location (eSBC). Call distribution is based on telephone numbers.





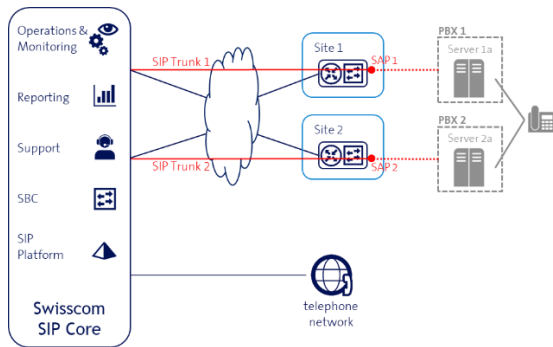
### Multi server

A PBX can consist of multiple servers for load balancing or redundancy reasons (active/active or active/standby). The calls are distributed to the individual servers in accordance with the Round Robin or Top-Down setting.



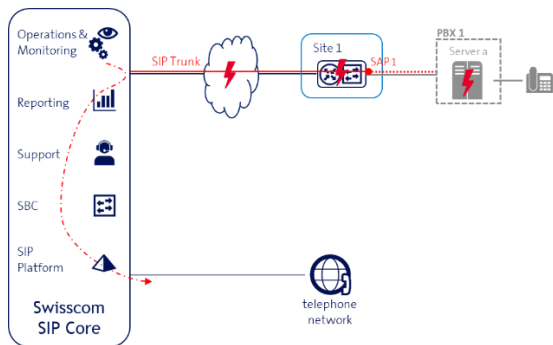
### Multi trunk

A company's calls can be distributed over multiple trunks. Each trunk is built in the appropriate form (standard, WAN, unbundled or cloud) and the telephone numbers (DDI) are assigned in blocks.



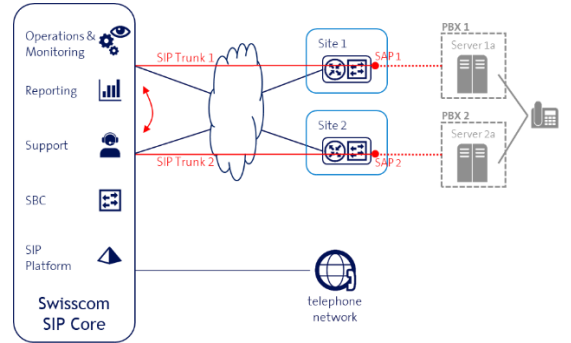
### Call forwarding scenarios

Forwarding to any number of pre-defined destination numbers, which are activated in emergencies or for planned maintenance work.



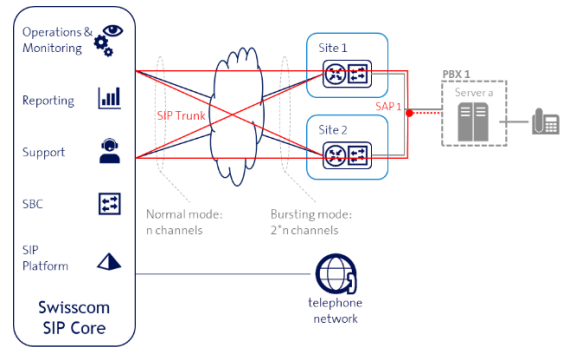
### Trunk failover

To be able to transfer calls even if a trunk fails, telephone numbers are assigned to a 2nd voice system on an additional trunk to the primary voice system ('failover trunk').



### Bursting

A Service Access Interface Point with 99.9% availability (SDT-1) can use twice the number of channels available in normal operation for a maximum of one hour per month.



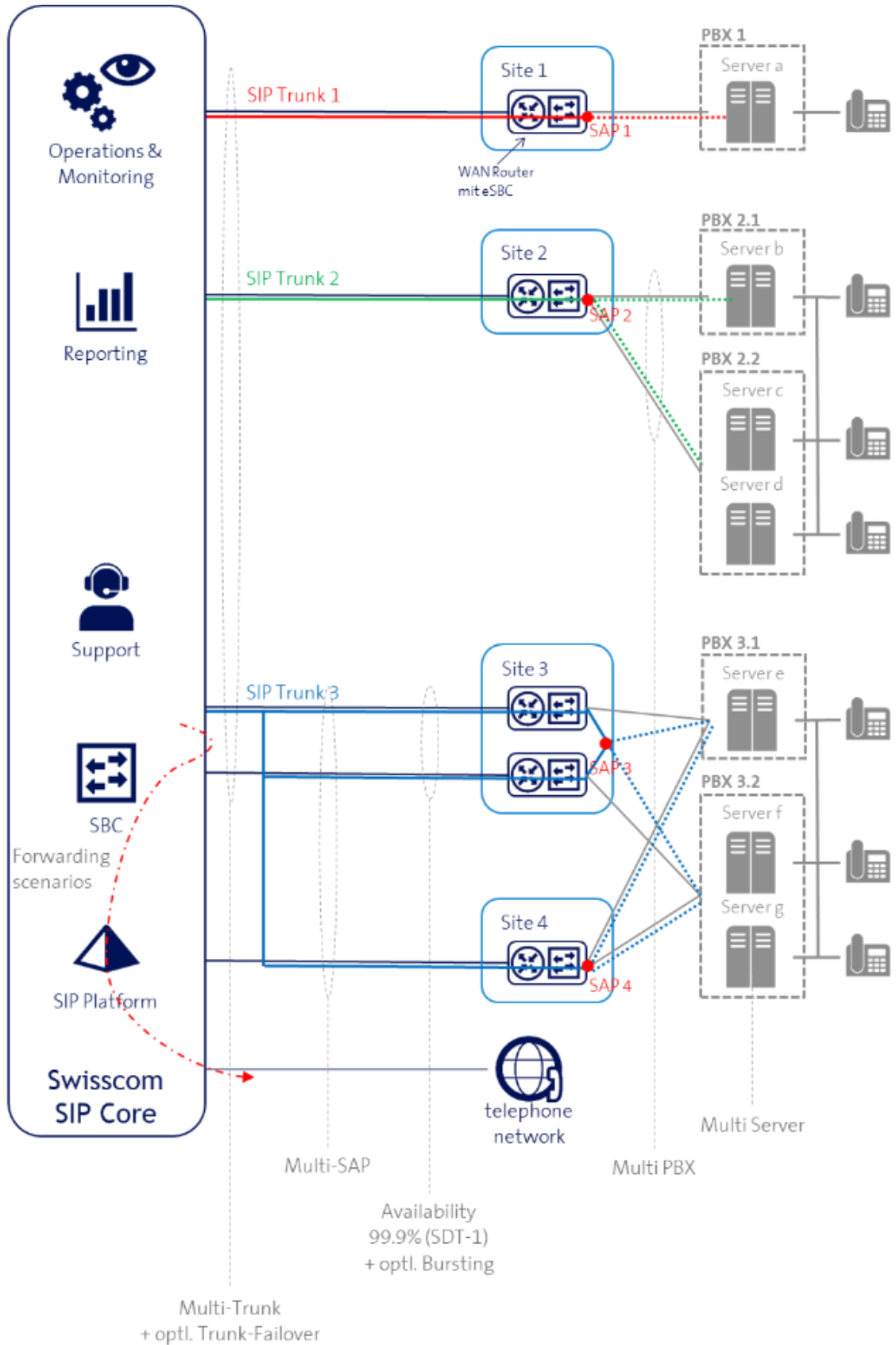
### Channel split

For each SIP trunk, values can be defined which determine how many voice channels should always be available as a minimum for incoming and outgoing calls.



## Combinations

A wide variety of needs can be covered by a suitable combination of the above options.



The details in this document do not constitute a binding offer. Subject to modification without notice.