

# Centro Business 2.0

Mounting options



**swisscom**

# Centro Business 2.0 mounting options

## 1. Vertical (recommended)

For optimal performance (WLAN and DECT reception), we recommend that you keep the router in a vertical position.



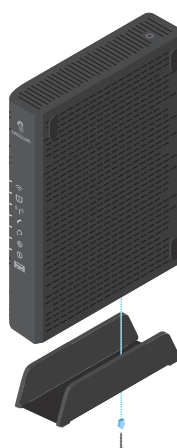
## 2. Horizontal

### Instructions:

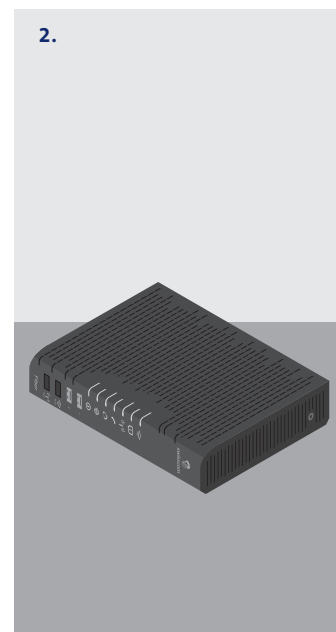
1. Unscrew the stand
2. Place the router on the rubber pads

The router can be kept horizontal if there is sufficient room for air to circulate above it and a non-flammable surface beneath. This position may have a detrimental effect on the WLAN and DECT.

1.



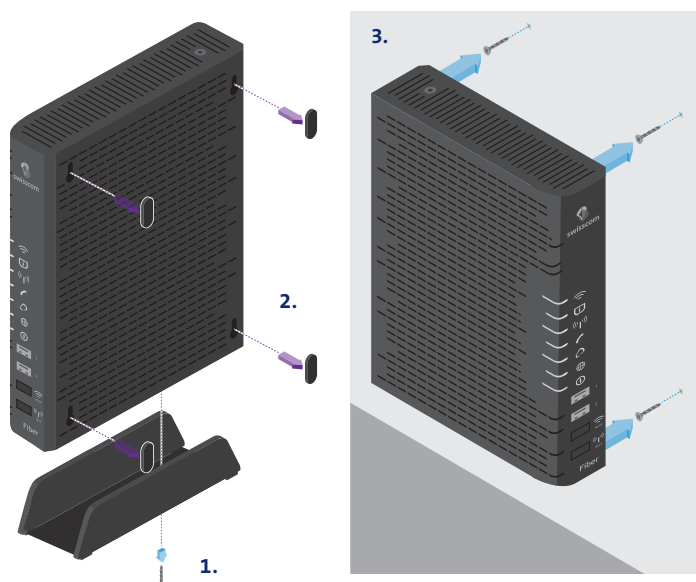
2.



## 3. Wall-mounting

### Instructions:

1. Unscrew the stand
2. Remove the rubber pads
3. You can use the exposed holes to screw the router to the wall

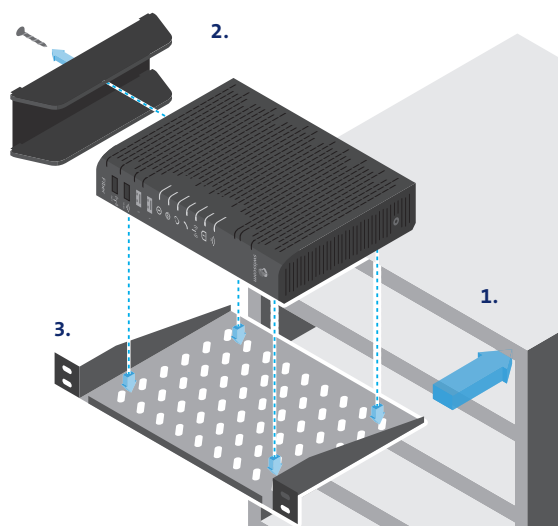


## 4. 19-inch rack

### Procedimento:

1. Mount the shelf\* in the rack
2. Unscrew the stand
3. Place the router on the shelf\*

This position may have a detrimental effect on the WLAN and DECT.



\* We recommend the Digitus DN-19 TRAY-1-SW shelf, which you can order from our partner Digitec or [here](#).